



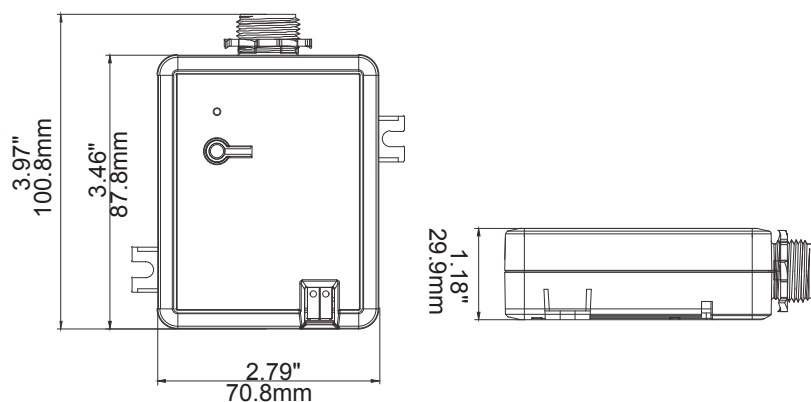
20A rated contact allows the BMWC-L104S-D Zone Controller to switch a large zone of lighting compared to an in-fixture controller. An auxiliary dry contact (Form-C, NO and NC connections) output is included for integration with 3rd party systems such as HVAC and security. 3rd party systems may utilize the wireless mesh communication technology and the ubiquitous motion sensing capability of BlueMesh products to provide convenient and automated operations to users.

FEATURES

- Dry contact output, 3A max pass through current.
- Form-C Contact, wire COMM/NC for normally closed and COMM/NO for normally open operation.
- Relay output, up to 20A max current.
- 0-10V dimming output, max sinking current 48.5mA.
- Plenum Rated UL2043.
- Works with other BlueMesh Devices.

PHYSICAL DIMENSIONS

Unit:inch/mm



1/2 inch US standard knockout

AMERICAN INCH PRODUCTS		
Size	T. P. I	Maj or Dia.
	inch	inch
R1/2	14	0.825

TECHNICAL DATA

Input Voltage: AC120-277V
 Frequency: 50/60Hz
 Input Current: 20A Max
 Input Power: 2400W Max @ 120V,
 5540W Max @ 277V
 Output Voltage: AC120-277V
 Output Current: 20A Max
 Output Power: 2400W Max @ 120V,
 5540W Max @ 277V
 Dimming: Class 2, 0-10V DC 10mA Max
 Sinking Current: 48.5mA Max
 Dry Contact Output: Class 2 output,
 60Vdc max, 100W max

Bluetooth Transmit: 200ft Max
 Radio Frequency: 2.4GHz ± 75MHz
 Bluetooth Version: 4.2
 Housing Material: UL 94-5VA,
 Indoor Use Only
 Operating Temperature: -30°C to 55°C,
 -22°F to 131°F
 Storage Temperature: -30°C to 85°C,
 -22°F to 185°F
 IP Rating: IP20
 Color: White

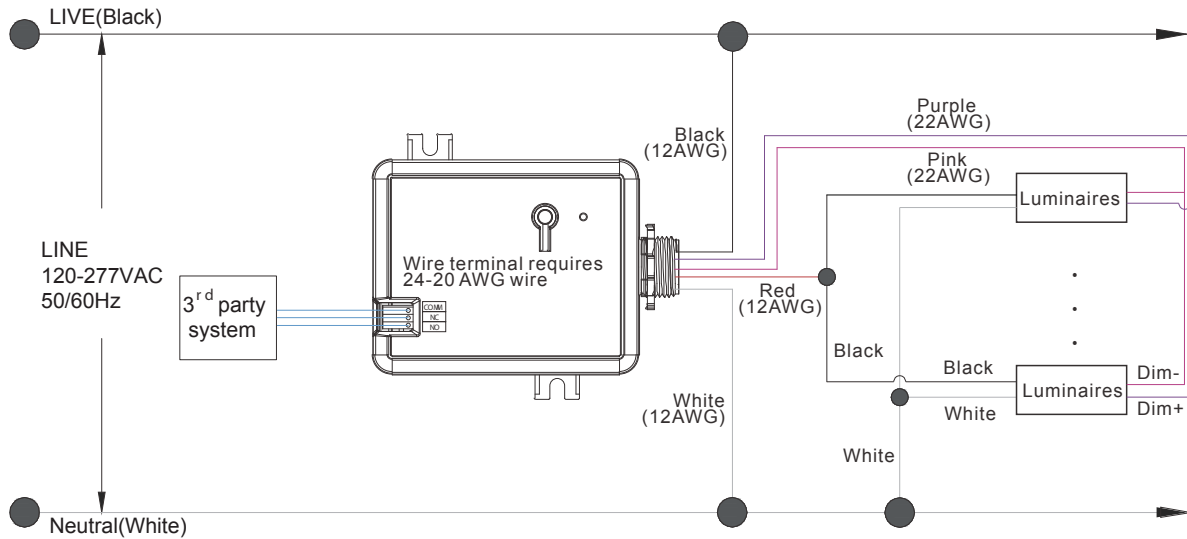
Comply to UL8750,UL2043,UL1376,RoHS
 Safety: cULus Listed LED Controller

ORDERING INFORMATION

MODEL	DESCRIPTION
BMWC-L104S-D-1-BLE-KL	Zone Controller 120-277V 20A,with Auxiliary Contact

WIRING DIAGRAM

Ref#: 20240717



***Please note:**
Wire to **COMM** and **NC** for normally closed and **COMM** and **NO** for normally open.

Dry contact	Controller is triggered (Turned on, relay is connected)	Controller is not triggered (Turned off, relay is not connected)
Normally closed	Disconnected	Connected
Normally open	Connected	Disconnected

WARRANTY

Five year limited warranty.

Specifications subject to change without notice.